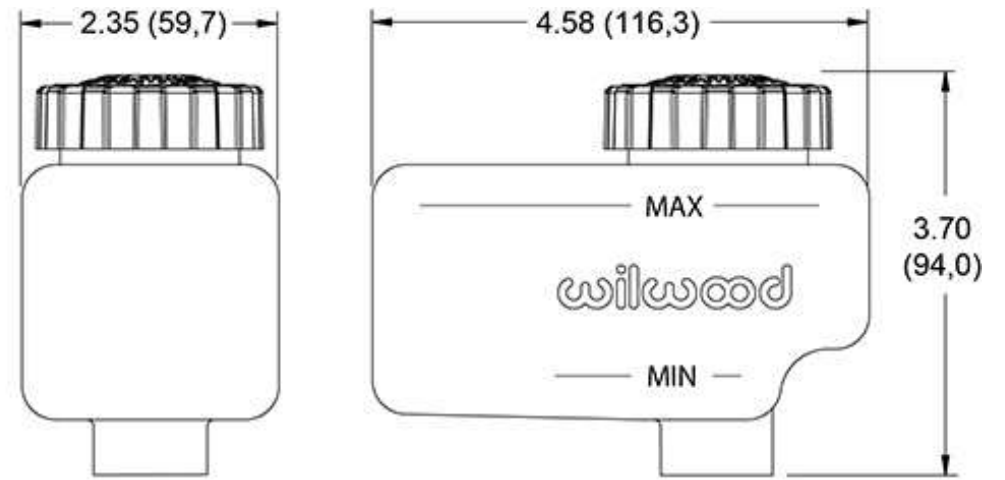
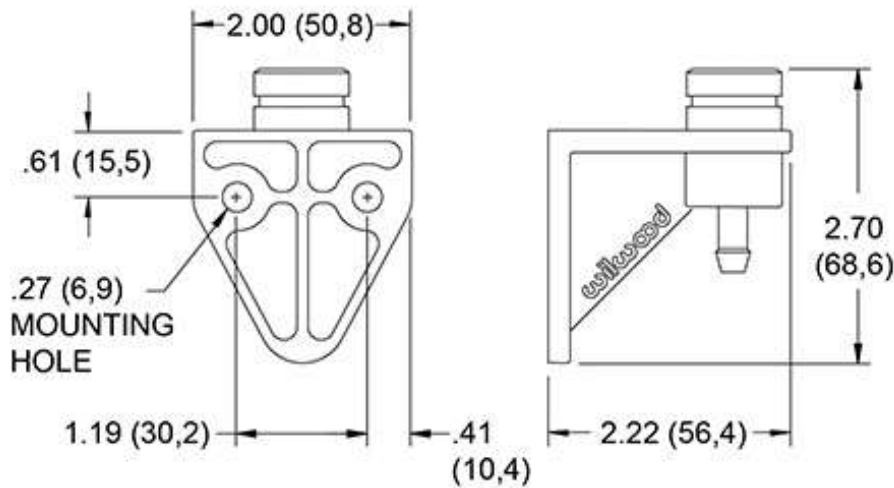


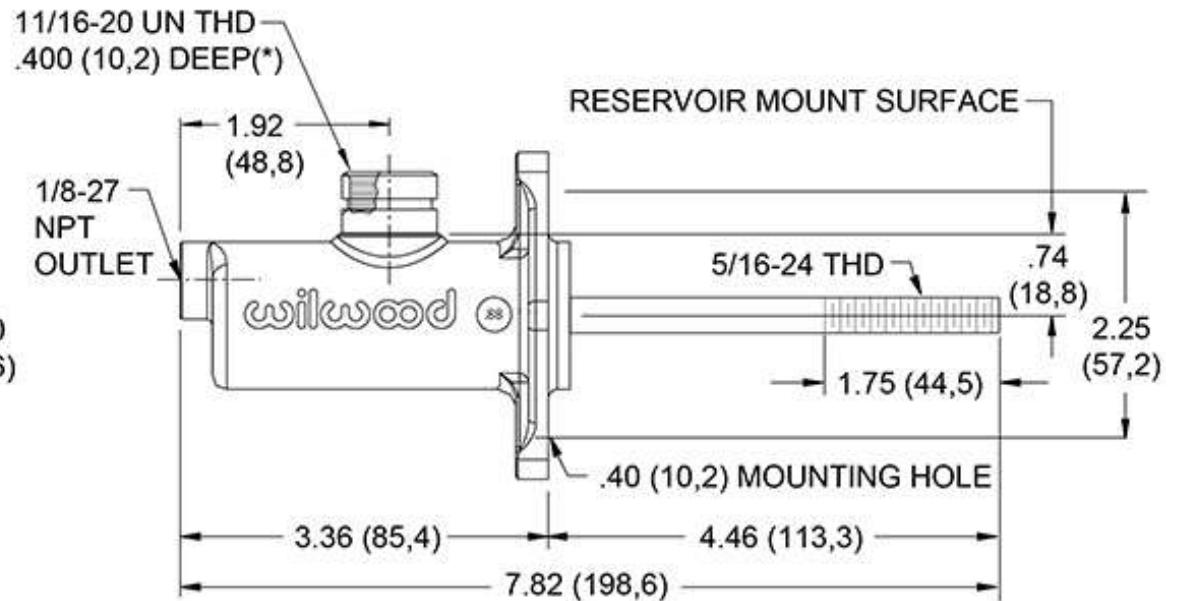
**SMALL RESERVOIR, 7 OUNCE, P/N 260-10204**



**LARGE RESERVOIR, 10 OUNCES, P/N 260-10205**



**MOUNTING BRACKET, P/N 250-10263**



(\*) THREADED FOR OPTIONAL FITTING KITS 220-12943 AND 220-13130

**MASTER CYLINDER • STROKE: 1.12"**